

SLOT NOZZLES FOR FIXED INSTALLATION



REPLACE OPEN PIPE OF DIAMETERS:



3 - 4 mm

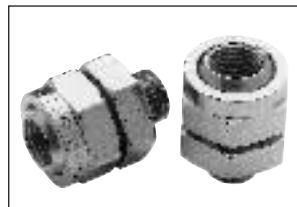
1/8"

BENEFITS

Reduces the noise level	14 - 17 dB(A)
Decreases air consumption	23 - 36 %
Safety nozzle	Meets OSHA standards

ACCESSORY

ADJUSTABLE SWIVEL JOINT

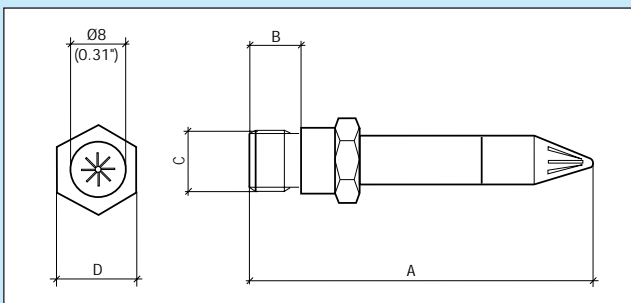


An adjustable swivel joint for setting the direction of the air cone. The joint enables easy fine tuning of the blowing angle without affecting other fixed equipment. Correct adjustment of the blowing angle results in a lower noise level and increased efficiency.

Further information in: Accessories.

The Silvent 511 and 512 are slot nozzles that generate a directed air jet. The nozzles are well suited to all-purpose blowing and blowing in confined spaces. Due to their compact size, these nozzles are frequently used in machines and tools where clearance is limited. Both nozzles fulfill OSHA safety regulations, which stipulate that air pressure may not exceed 210 kPa (30 psi) in direct contact with skin. The nozzles combine the advantages of low noise level and low air consumption with high blowing force. Patented by manufacturer.

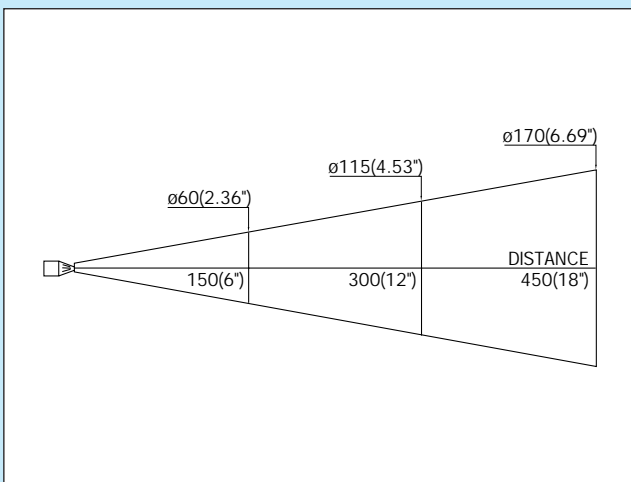
DIMENSIONS



PRODUCT INFORMATION

ORDER NO./ MODEL		511	512
A	mm	55.8	30.3
	"	2.19	1.19
B	mm	8	8
	"	0.31	0.31
C	BSP	1/8"	1/8"
	NPT	1/8"-27	1/8"-27
D	mm	12	12
	"	0.47	0.47

AIR CONE PATTERN



Replaces open pipe	mm	4	4
	"	1/8	1/8
Air consumption	Nm ³ /h	19	19
	scfm	11.2	11.2
Sound level	dB(A)	79	79
Blowing force	N	3.2	3.2
	oz	11.3	11.3
Max. temp.	°C	-20/+70	-20/+70
	°F	-4/+158	-4/+158
Weight	g	20	8
	lbs	0.044	0.018
Nozzle material	Zinc		

Further information in: Technical specifications.

Max. operating pressure: 1.0 MPa (143 psi)